



Table of contents

	Page
Specifications / Applications	P2

VN 4020 Short extension length	P4
	

VN 4030 Pipe extension	P6
	

Options	P8
Dimensions	P10
Spare parts	P11
Electrical installation	P12

Subject to change.

Valid: From 01.04.2014 until 31.03.2015, unless otherwise agreed.

All dimensions in mm (inches).

By publishing this selection list all other lists become invalid.

All prices in Euro, excluding VAT.

We assume no liability for typing errors.

All prices are EXW Betzigau, excluding packaging costs.

Different variations to those specified are possible. Please contact our technical consultants.

Specifications

- Level limit detection in bulk goods / solids
- Compact unit
- Die-casted housing aluminium
- Wide range of applications, no maintenance
- Full-, demand-, empty detector
- Sensitivity > 30 g/l (1.9lb/ft³)
- ATEX, IEC-Ex, FM, CSA approvals (DustEx)
- GOST-R and RTN Ex approvals (DustEx)
- 1935/2004/EC Food grade materials
- 2011/65/EU RoHS conform

Approvals	CE	
	ATEX / IEC-Ex	Zone 20/21 (Dust Ignition Proof)
	FM / CSA	General purpose Cl. II, III Div. 1 (Dust Ignition Proof)
	GOST-R / RTN Ex	Dust Ignition Proof

Electro-nics	Relay DPDT	19..230V AC 19..40V DC ± 10%
	PNP	18..50V DC ± 10%

VN 4020	Length of extension	170mm (6.68")
	Ambient temperature	-40 .. +60°C (-40 .. +140°F)
	Process temperature	-40 .. +150°C (-40 .. +302°F)
	Process pressure	-1 .. +16 bar (-14.5 .. +232 psi)
	Process connection material / Extension	1.4581 (316) or 1.4541 (321) (food grade)

VN 4030	Length of extension	300 .. 4.000mm (11.8 .. 157")
	Ambient temperature	-40 .. +60°C (-40 .. +140°F)
	Process temperature	-40 .. +150°C (-40 .. +302°F)
	Process pressure	-1 .. +16 bar (-14.5 .. +232 psi)
	Process connection material / Extension	1.4301 (304)/1.4541 (321) or 1.4571 (316TI)/1.4404 (316L) (food grade)

VN 4020



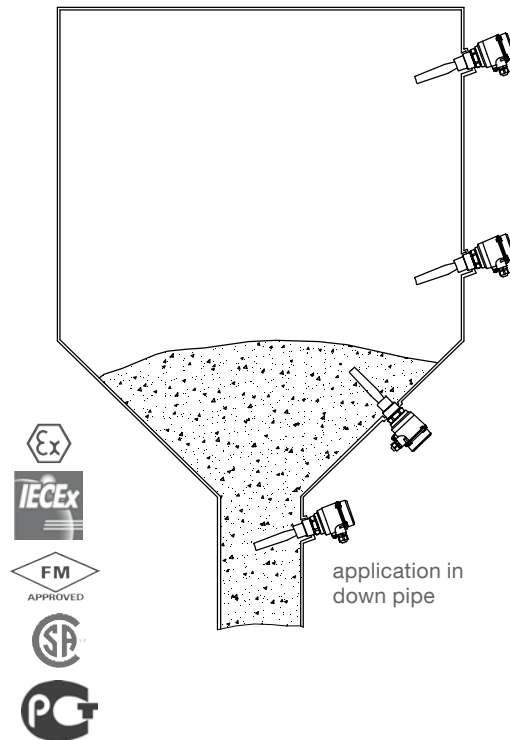
VN 4030



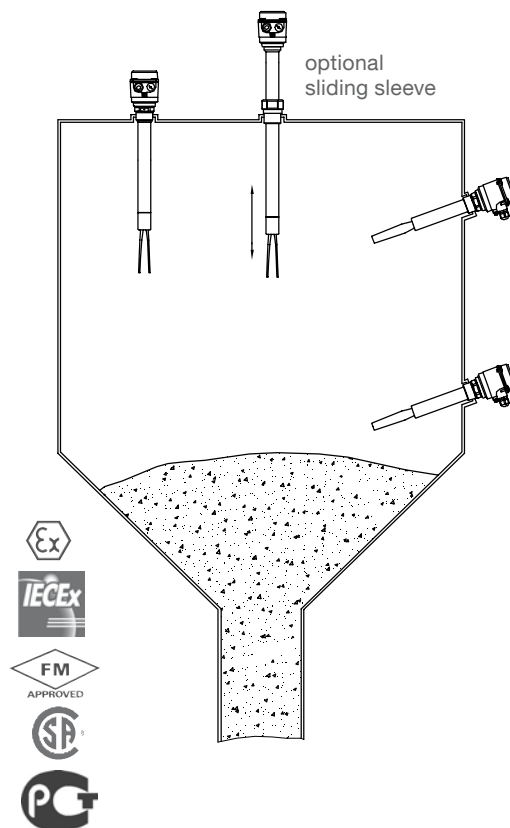
Applications

Detection of solids

VN 4020



VN 4030



VN 4020 Short extension length



Food grade materials

Cable entries (by default)

Depending on model selected the following cable entries are supported (options see pos 23 on page 8):

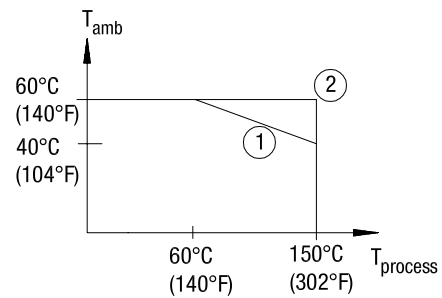
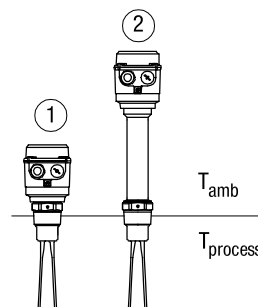
Version:	Cable entries:
CE / ATEX / IEC-Ex (pos.2 0,W, F)	M20x1,5 (1x cable gland + 1x blind plug)
FM and CSA (pos.2 M,N)	NPT 1/2" tapered ANSI B1.20.1 (1x open conduit + 1x blind plug)

Dimensions see page 10

pos. 3
 Temperature extended shaft

Application up to 150°C
 (302°F)

- 1 without
- 2 with



VN 4020 Short extension length

Basic type

VN 4020

- pos. 2 **Certificate**
- 0 CE ⁽¹⁾
 - W ATEX II 1/2D ⁽²⁾ Ex t IIIC T! Da/Db IP6X
 - A IEC-Ex t IIIC T! Da/Db IP6X
 - M FM / CSA General Purpose
 - N FM / CSA DIP Cl. II, III Div.1 Groupe E, F, G and CSA DIP A20/21

- pos. 3 **Temperature extended shaft**
- 1 without (up to T_{process} = 150°C (302°F) bei T_{amb} < 40°C (104°F))
 - 2 with (up to T_{process} = 150°C (302°F) bei T_{amb} > 40°C (104°F))

- pos. 4 **Electronic module**
- L Relay DPDT 19..230V AC 19..40V DC
 - D PNP 18..50V DC

- pos. 5 **Process connection**
- A Thread R 1½ inch, conical DIN 2999
 - B Thread NPT 1½ inch, conical ANSI B1.20.1
 - D Thread NPT 1 ¼ inch, conical ANSI B1.20.1
 - P Tricomp 2" (DN50) ISO 2852
 - L Flange DN 100 PN6, EN1092-1 (max. 6 bar (87psi))
 - M Flange DN 100 PN16, EN1092-1
 - S Flange 2" 150lbs ANSI B16.5
 - T Flange 3" 150lbs ANSI B16.5
 - U Flange 4" 150lbs ANSI B16.5

- pos. 8 **Material of process connection / extension "L"**
- 1 Stainless steel 1.4541 (321)
 - 2 Stainless steel 1.4581 (316)/1.4404 (316L)

Further options: see page 8

VN 4020	A					3	1	
position	1	2	3	4	5	6	7	8

← **Order code**

All positions are available in special design (use code "Z").

⁽¹⁾ GOST-R included
⁽²⁾ RTN-Ex and GOST-R included

VN 4030 Pipe extension



Food grade materials

Cable entries (by default)

Depending on model selected the following cable entries are supported (options see pos 23 on page 8):

Version:	Cable entries:
CE / ATEX / IEC-Ex (pos.2 0,W, F)	M20x1,5 (1x cable gland + 1x blind plug)
FM and CSA (pos.2 M,N)	NPT 1/2" tapered ANSI B1.20.1 (1x open conduit + 1x blind plug)

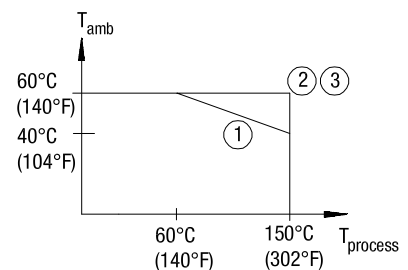
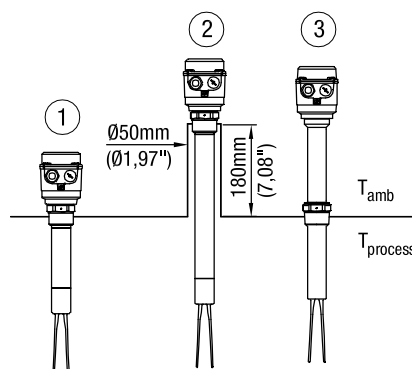
Dimensions

see page 10

pos. 3
 Temperature extended shaft

Application up to 150°C (302°F)

- 1 without
- 2 without and with extended socket
- 3 with



Options

pos. 11x **Guarantee extension to 5 years**

pos. 21 **Weather protection cover**
 (for Ex only approved for Zone 22 or Div. 2)

Mounting set for flange mounting

	process connection flange	for counter flange with	consists of			
			screws*	nuts*	washers*	sealing**
pos. 22c	L	hole ø18	4 x M16x60	4 x M16	4 pcs	1 piece
pos. 22d	L	thread M16	4 x M16x40		4 pcs	1 piece
pos. 22e	M	hole ø18	4 x M16x60	8 x M16	8 pcs	1 piece
pos. 22f	M	thread M16	4 x M16x40		8 pcs	1 piece

* material stainless steel A2 **max. 125°C (256°F), material not food grade

Cable entry

Selection of the following options only necessary, if a deviation from the default cable gland / conduit is required:

pos. 23x M20x1.5 2x screwed cable gland
 pos. 23y M20x1.5 1x screwed cable gland +1x blind plug
 pos. 23a NPT 1/2" tapered ANSI B1.20.1 (1x conduit + 1x Ex-d blind plug)
 pos. 23b NPT 3/4" tapered ANSI B1.20.1 (1x conduit + 1x Ex-d blind plug) on request

Sliding sleeve

Process connection as follows or flange as chosen

³ For applications without overpressure, max. 150°C (302°F), Available not for Ex (Pos.2)

pos. 25a R 1½ inch DIN 2999 material 1.4301 (304)
 pos. 25b NPT 1½ inch ANSI B1.20.1 material 1.4301 (304)
 pos. 25c Flange⁵ material 1.4301 (304)/1.4541 (321)

For applications with overpressure max. 16bar (232psi), max. 150°C (302°F)

pos. 25e R 1½ inch DIN 2999 material 1.4571 (316 TI)
 pos. 25f NPT 1½ inch ANSI B1.20.1 material 1.4571 (316 TI)
 pos. 25g Flange⁵ material 1.4571 (316TI)/1.4404 (316L)

Signal lamp

pos. 27a Bulb in cable gland, 2W green¹
 pos. 27c Bulb in cable gland, 2W red¹
 pos. 27b LED (glass window in lid)⁴

pos. 29 **Plug 4-pole² (incl. PE)**

¹ Available for CE (pos. 2, 0), not in combination with weather protection cover (pos. 21) and cable entries pos.23 x,a,b.
 For electronic module Relais DPDT (pos. 4.L) three bulbs (24V, 115V and 230V) will be delivered. For PNP (pos.4.D) a 24V bulb will be delivered.

² Available only for CE (pos. 2, 0)

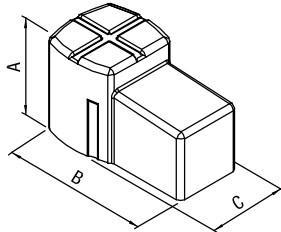
³ Available for CE and FM/CSA general purpose (pos. 2, 0, M)

⁴ Not with weather protection cover (Pos. 21)

⁵ Flange as selected in pos.5

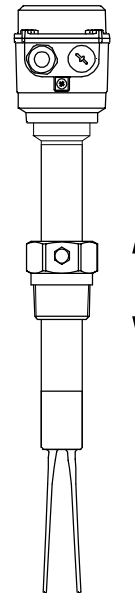
Options

pos. 21
Weather protection cover

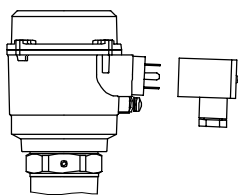


	With CE, ATEX, IEC-Ex	With FM, CSA
A	100mm (3.94")	130mm (5.12")
B	165mm (6.5")	200mm (7.87")
C	88mm (3.46")	125mm (4.92")

pos. 25
Sliding sleeve

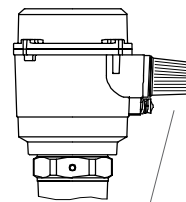


pos. 29
Plug 4-pole



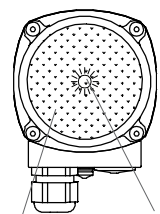
Signal lamp

pos. 27a, c
 Bulb in cable gland



bulb

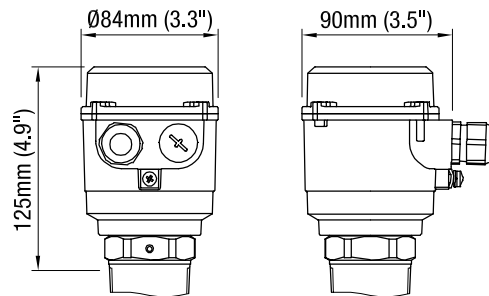
pos. 27b
 LED (glass window in lid)



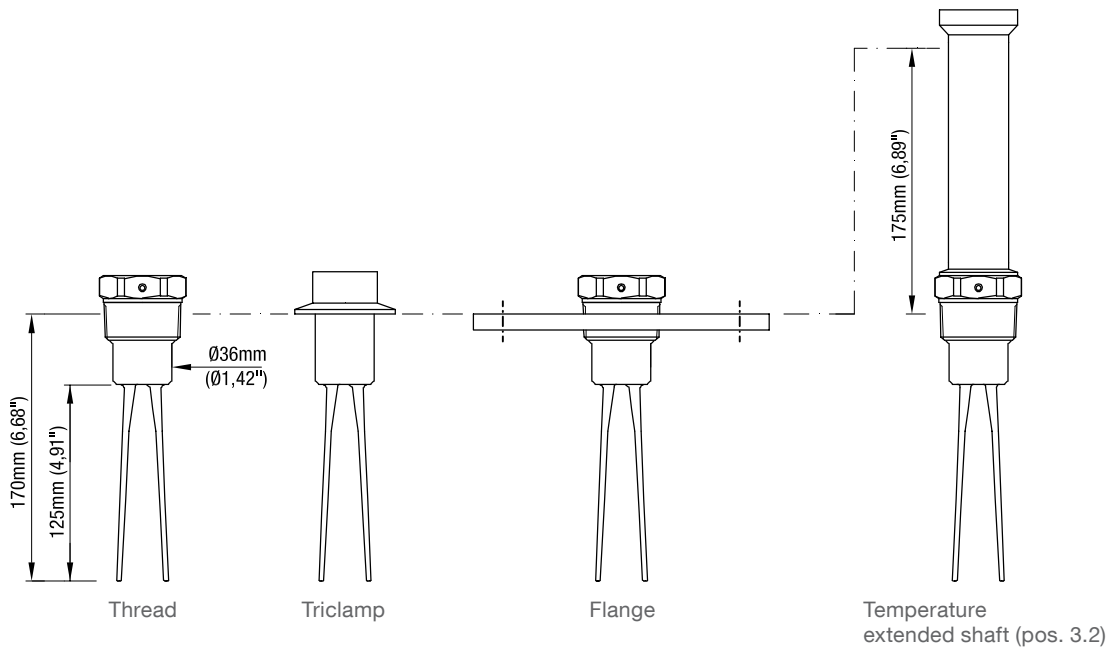
glass window

LED

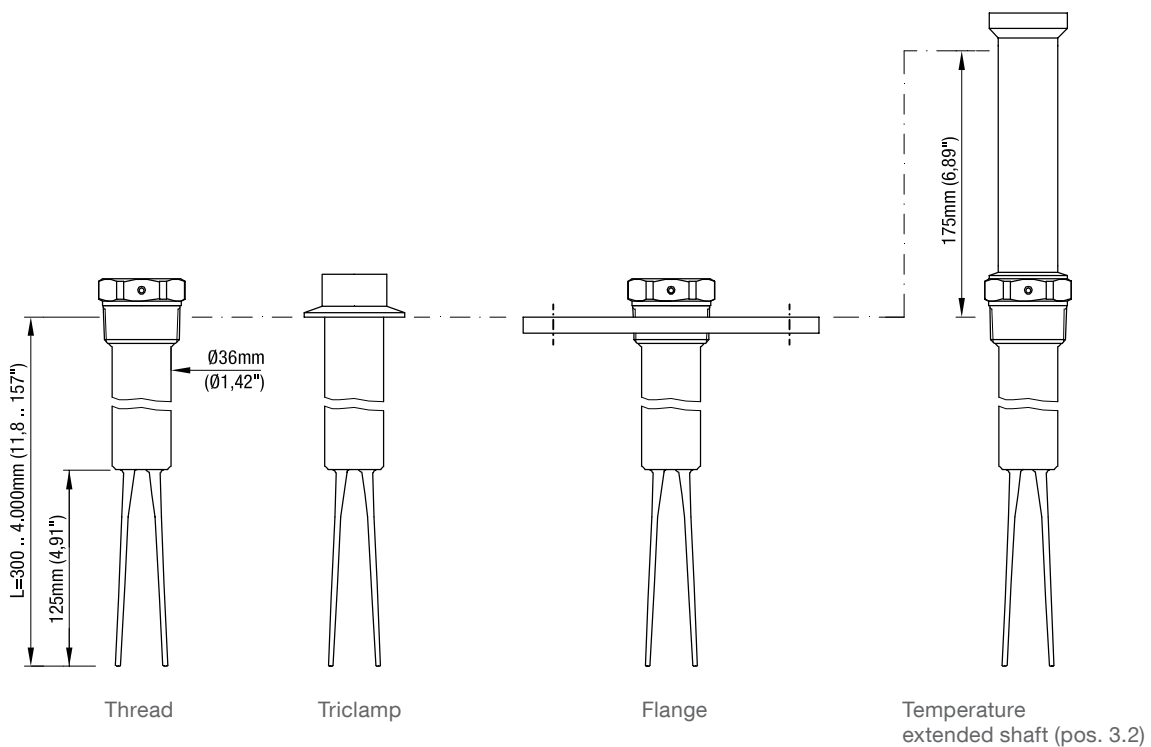
Dimensions



VN 4020



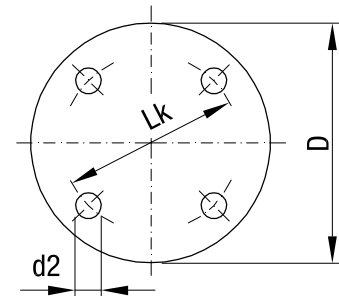
VN 4030



Dimensions / Spare parts

Flanges

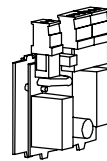
code	type		d2	Lk	D	T (thickness)
L	flange DN100 PN6	4	18mm (0.71")	170mm (6.69")	210mm (8.27")	16mm (0.63")
M	flange DN100 PN16	8	18mm (0.71")	180mm (7.09")	220mm (8.66")	20mm (0.79")
S	flange 2" 150lbs	4	19.1mm (0.75")	120.7mm (4.75")	152.4mm (6.01")	19.1mm (0.75")
T	flange 3" 150lbs	4	19.1mm (0.75")		190.5mm (7.5")	23.9mm (0.94")
U	flange 4" 150lbs	8	19.1mm (0.75")		228.6mm (9")	23.9mm (0.94")



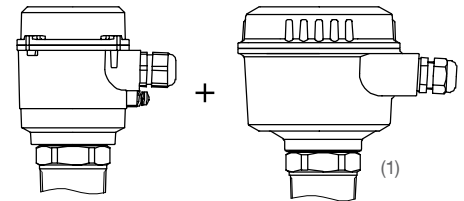
Spare parts

Electronic board	Article number	Price
Relais DPDT 19..230V AC 19..50V DC	pl408265	
PNP 18..50V DC	pl408266	

Electronic board



Fitting for housing



(1) Adapting plate included

Electrical installation

Universal voltage

Relay DPDT

Power supply:

19..230V 50-60Hz ± 10%* 22VA
 19..40V DC ± 10%* 2W
 *incl. ±10% of EN 61010

Fuse on power supply:

max. 10A, fast or slow, HBC, 250V

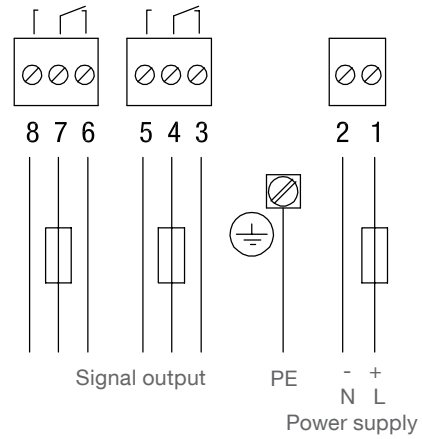
Signal output:

Floating relay DPDT

AC max. 250V, 8A, non inductive
 DC max. 30V, 5A, non inductive

Fuse on signal output:

max 10A, fast or slow, HBC, 250V



3-wire

PNP

Power supply:

18 .. 50V DC ±10%*
 *incl. ±10% of EN 61010
 Input current: max. 0.5A

Fuse:

max. 4A, fast or slow, 250V

Signal output:

max. 0.4A
 Output voltage equal to input
 voltage, drop <2.5V

Load for example:

PLC, relay, contactor, bulb

